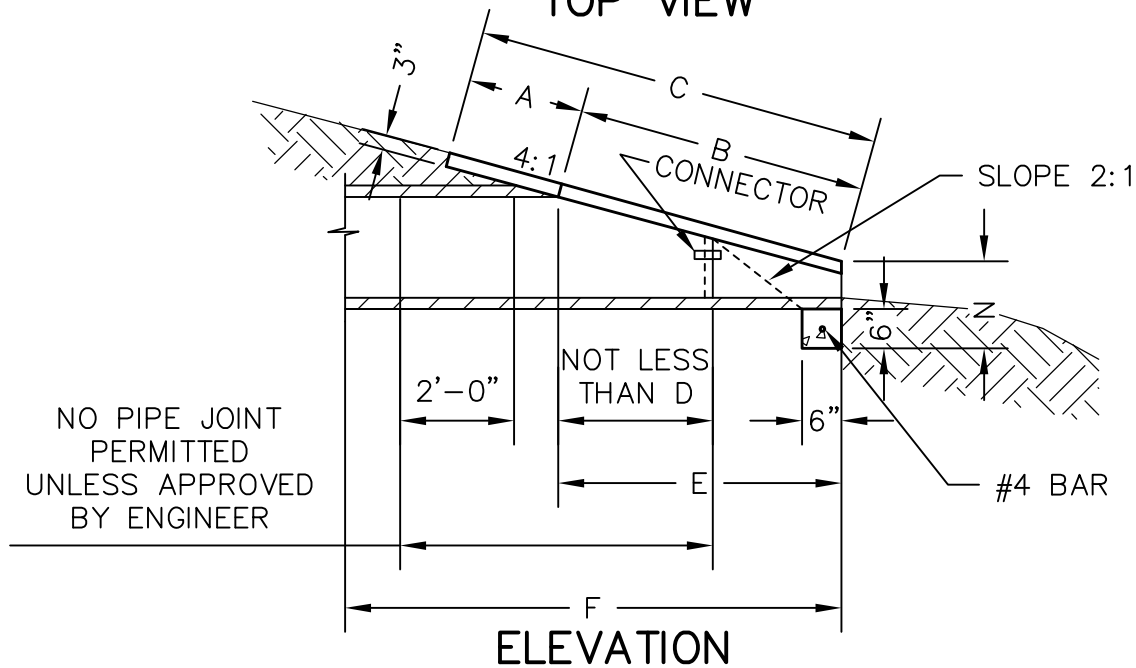


TOP VIEW



REF. F.D.O.T. INDEX No. 272, INCLUDING VARIATIONS FOR MULTIPLE PIPES & ELLIPTICAL PIPES.

DIA.	A	B	C	E	F	G	M	N
18"	1.97'	2.74'	4.71'	2.56'	6.00'	1.41'	4.92'	1.21'
24"	2.06'	3.85'	5.91'	3.56'	7.00'	1.73'	5.50'	1.25'
30"	2.15'	4.95'	7.10'	4.56'	8.00'	2.00'	6.08'	1.29'
36"	2.25'	6.08'	8.33'	5.56'	9.00'	2.24'	6.67'	1.33'
42"	2.34'	7.21'	9.55'	6.56'	10.00'	2.45'	7.25'	1.38'

CITY OF GROVELAND STANDARD DETAILS: STREET & DRAINAGE



**METZGER & WILLARD, INC.**  
Civil • Environmental Engineers • Surveyors  
8600 Hidden River Parkway, Suite 550  
Tampa, Florida 33637 (813) 977-6005

MITERED END SECTION

DATE: JULY 7, 2008  
SCALE: N.T.S.

D-9