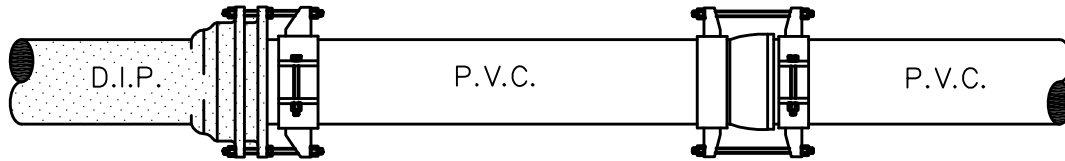
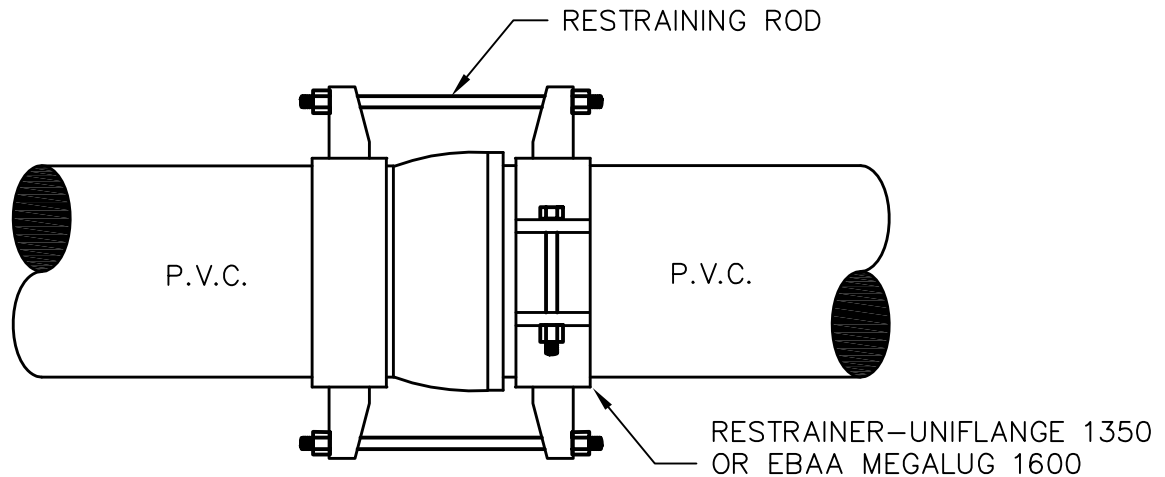


UNIFLANGE 1300 RESTRAINER
OR EBBA MEGALUG 2000

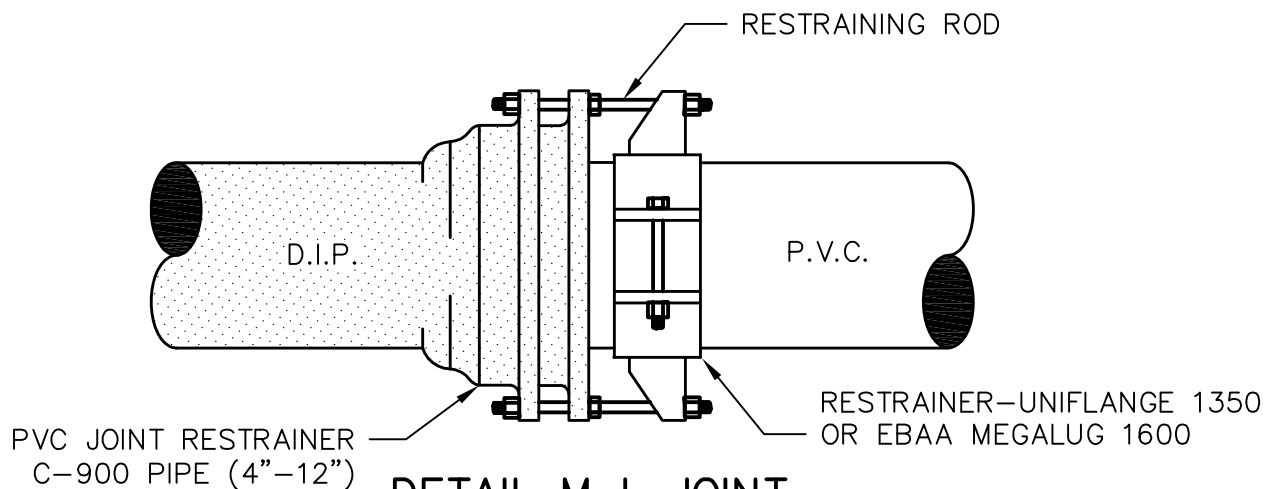
UNIFLANGE 1350 RESTRAINER
OR EBBA MEGALUG 1600



METHOD OF RESTRAINING PUSH-ON JOINT PIPE



DETAIL PUSH-ON JOINT



DETAIL M.J. JOINT

CITY OF GROVELAND STANDARD DETAILS: GENERAL



METZGER & WILLARD, INC.
Civil • Environmental Engineers • Surveyors
8600 Hidden River Parkway, Suite 550
Tampa, Florida 33637 (813) 977-6005

JOINT RESTRAINTS
P.V.C. C-900 PIPE
(4" TO 12")

DATE: JULY 7, 2008
SCALE: N.T.S.

G-8