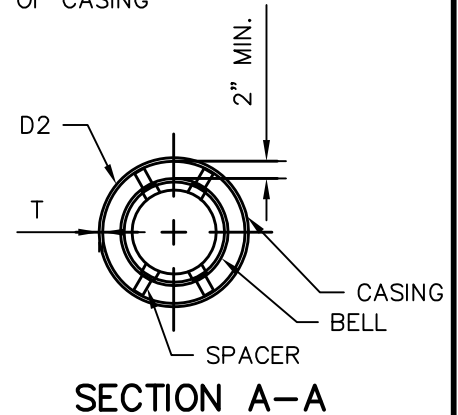


NOTES:

- (1) VERTICAL DIMENSIONS TYPICAL FOR CASINGS
- (2) WITH CURB: 6' STATE & 2' CITY ROADS MINIMUM WITHOUT CURB: 8' STATE & 4' CITY ROADS MINIMUM
- (3) STEEL CASING PIPE SHALL CONFORM TO THE REQUIREMENTS OF AWWA C-200 AND ASTM-139, GRADE B.
- (4) WHEN CASING IS INSTALLED WITHOUT BENEFIT OF A PROTECTIVE COATING, AND SAID CASING IS NOT CATHODICALLY PROTECTED, THE WALL THICKNESS SHOWN SHALL BE INCREASED TO THE NEAREST STANDARD SIZE WHICH IS A MINIMUM OF 0.063" GREATER THAN THE THICKNESS SHOWN EXCEPT FOR DIAMETERS LESS THAN 12.75".
- (5) FOR REFERENCE ONLY.



PRESSURE MAIN TO BE RESTRAINED WITH MANUFACTURERS RESTRAINED JOINTS THROUGH CASING. USE (3) SS CASING SPACER CENTERED ON EACH PIPE LENGTH. TIMBER SKIDS ARE OPTIONAL.

MINIMUM CASING SIZE AND THICKNESS

	4"	6"	8"	10"	12"	14"	16"	18"	20"	24"	30"	36"	42"	48"					
D.I.P.-M.J.	—	—	—	4"	6"	—	8"	10"	12"	14"	16"	18"	20"	—	24"	30"	36"	42"	48"
D.I.P.-P.O.	—	—	4"	—	6"	8"	10"	12"	—	14"	16"	18"	20"	24"	—	30"	36"	42"	48"
P.V.C.	—	—	4"	6"	—	8"	10"	12"	—	—	—	—	—	—	—	—	—	—	—
(3) STEEL CASING PIPE (D2)	8" ⁽⁵⁾	10"	12"	14"	16"	18"	20"	24"	24"	30"	30"	30"	36"	36"	42"	48"	54"	60"	66"
WALL THICKNESS (T) ROADS	.188"	.188"	.188"	.250"	.250"	.250"	.250"	.250"	.250"	.312"	.312"	.312"	.375"	.375"	.500"	.500"	.500"	.500"	.500"
(4) WALL THICKNESS (T) R.R.	.188"	.188"	.188"	.219"	.219"	.250"	.281"	.344"	.344"	.406"	.406"	.406"	.469"	.469"	.500"	—	—	—	—

CITY OF GROVELAND STANDARD DETAILS: GENERAL



JACK AND BORE DETAIL

DATE: JULY 7, 2008
SCALE: N.T.S.

G-9