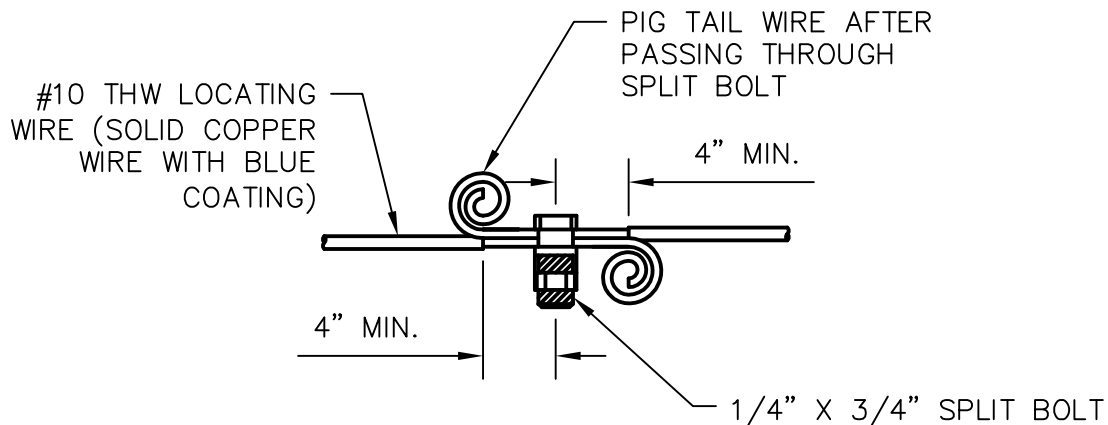


NOTES:

1. ALL PVC PIPE SHALL REQUIRE INSULATED METALLIC LOCATING WIRE (10 GAUGE COPPER/UF INSULATION) CAPABLE OF DETECTION BY A CABLE LOCATOR.
2. WIRE SHALL BE ATTACHED TO THE TOP OF PIPE WITH DUCT TAPE, AT LEAST FIVE TIMES PER JOINT. LOCATING WIRE SHALL TERMINATE AT THE TOP OF EACH VALVE BOX.
3. PROVIDE POTTING COMPOUND AT ALL TRACER WIRE JUNCTIONS AND SPLICES.
4. EXTEND TRACER WIRE INTO METER BOXES TO CURB STOP.

### PIPE LOCATING WIRE DETAIL



NOTES:

1. THE ENDS OF ALL LOCATING WIRES, WHETHER THEY ARE SPLICED, CONNECTED, OR TERMINATED, SHALL HAVE THE LAST THREE INCHES PIG TAILED AS DETAILED HEREON.
2. AFTER INSTALLATION OF THE LOCATING WIRE THE SYSTEM SHALL BE SUBJECTED TO TESTING, IN THE PRESENCE OF CITY UTILITIES STAFF PRIOR TO BACKFILL, IN ORDER TO INSURE THAT THE SYSTEM IS FUNCTIONAL.

### LOCATING WIRE DETAIL

**CITY OF GROVELAND STANDARD DETAILS: GENERAL**



**METZGER & WILLARD, INC.**  
*Civil • Environmental Engineers • Surveyors*  
 8600 Hidden River Parkway, Suite 550  
 Tampa, Florida 33637 (813) 977-6005

## PVC PIPE LOCATING WIRE DETAILS

DATE: JULY 7, 2008  
 SCALE: N.T.S.

G-16