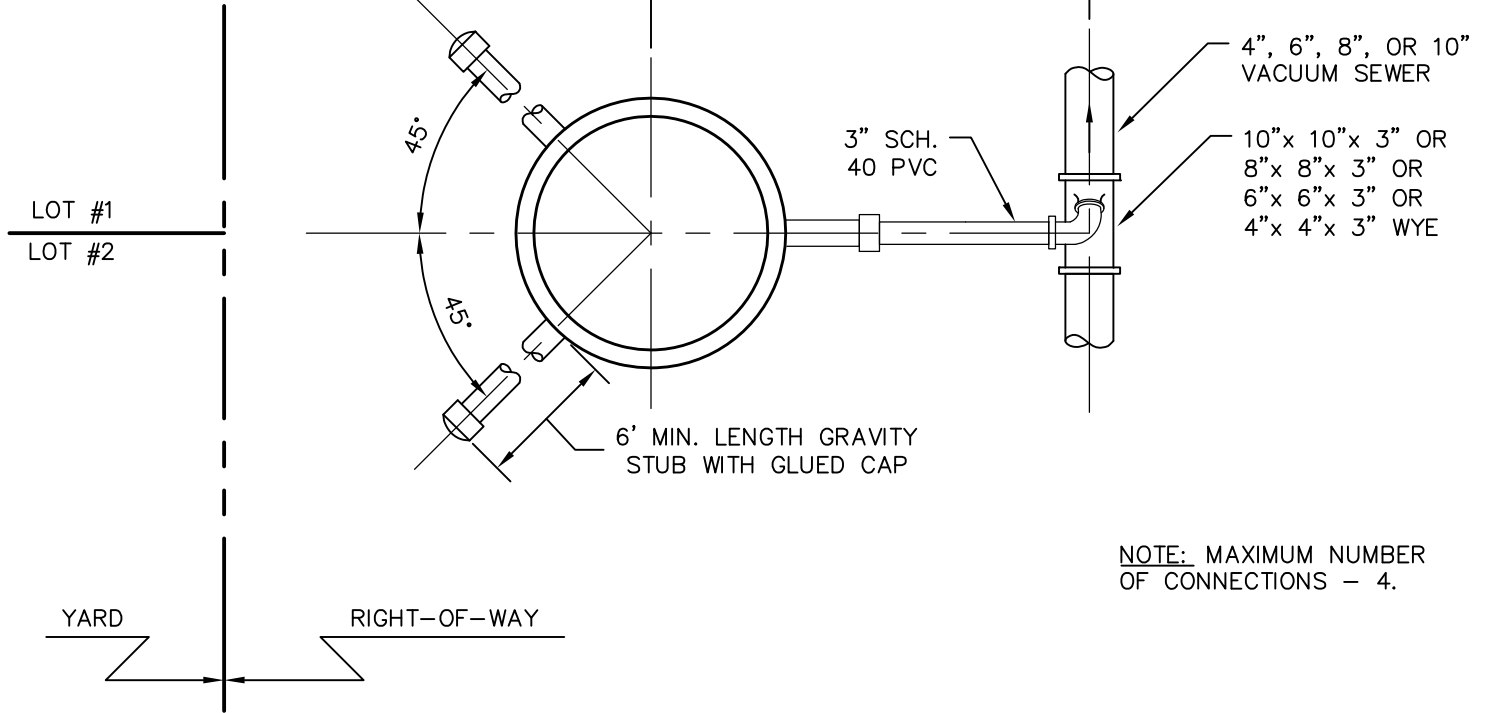


HOUSE GRAVITY LATERAL
TO BE DIRECTLY CONNECTED
TO COLLECTION SUMP

5'-0" (MIN.)



NOTE: MAXIMUM NUMBER
OF CONNECTIONS - 4.

DETAILS BASED
ON AIRVAC, INC.

CITY OF GROVELAND STANDARD DETAILS: VACUUM SEWER



METZGER & WILLARD, INC.
Civil • Environmental Engineers • Surveyors
8600 Hidden River Parkway, Suite 550
Tampa, Florida 33637 (813) 977-6005

**TYPICAL VALVE PIT
INSTALLATION**

DATE: JULY 7, 2008
SCALE: N.T.S.

V-1