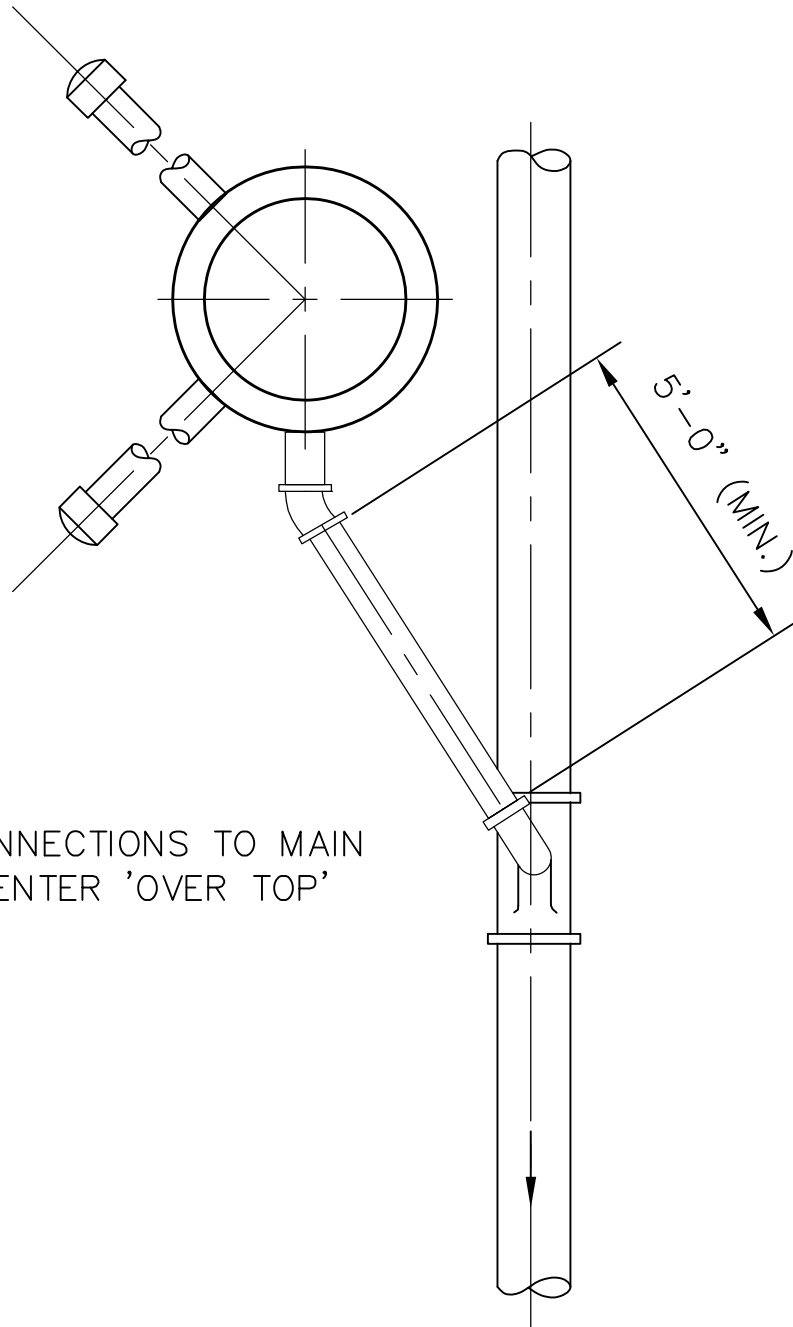


NARROW RIGHT-OF-WAY

LOT #1

LOT #2

ALL CONNECTIONS TO MAIN
SHALL ENTER 'OVER TOP'



DETAILS BASED
ON AIRVAC, INC.

CITY OF GROVELAND STANDARD DETAILS: VACUUM SEWER



METZGER & WILLARD, INC.
Civil • Environmental Engineers • Surveyors
8600 Hidden River Parkway, Suite 550
Tampa, Florida 33637 (813) 977-6005

**VALVE PIT INSTALLATION
NARROW ROW**

DATE: JULY 7, 2008
SCALE: N.T.S.

V-2