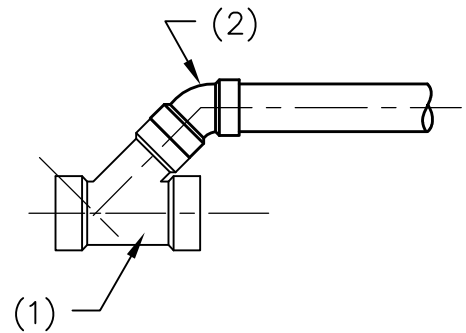


- (1) 45 DEG WYE, SOCKET x SOCKET x SOCKET
- (2) 45 DEG ELL, SOCKET x SOCKET



DETAILS BASED
ON AIRVAC, INC.

CITY OF GROVELAND STANDARD DETAILS: VACUUM SEWER



METZGER & WILLARD, INC.
Civil • Environmental Engineers • Surveyors
8600 Hidden River Parkway, Suite 550
Tampa, Florida 33637 (813) 977-6005

**VACUUM BRANCH TO
MAIN
LINE CONNECTION**

DATE: JULY 7, 2008
SCALE: N.T.S.

V-5